

D. MISELL.  
ELECTRIC DEVICE.

Application filed Mar. 12, 1898.

(No Model.)

2 Sheets—Sheet 1.

Fig. 1.

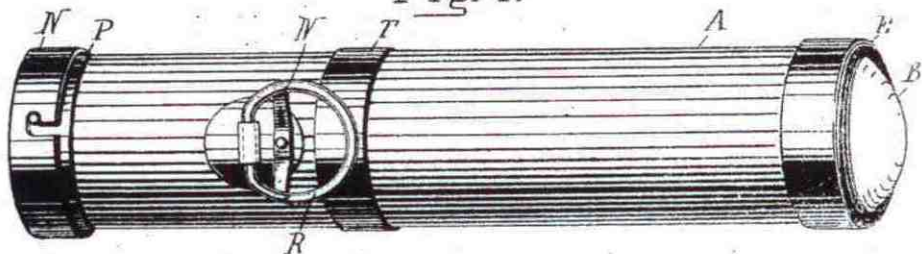
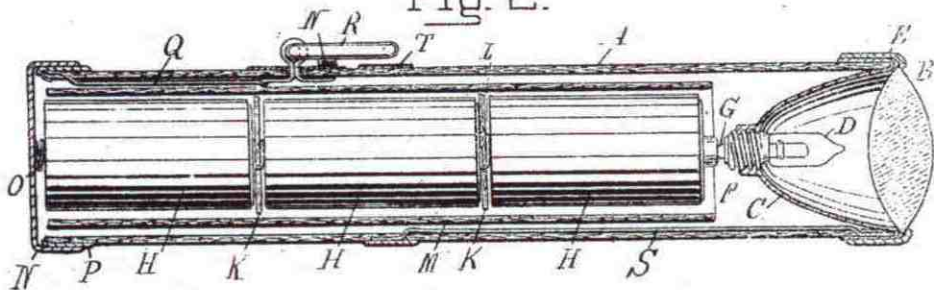


Fig. 2.



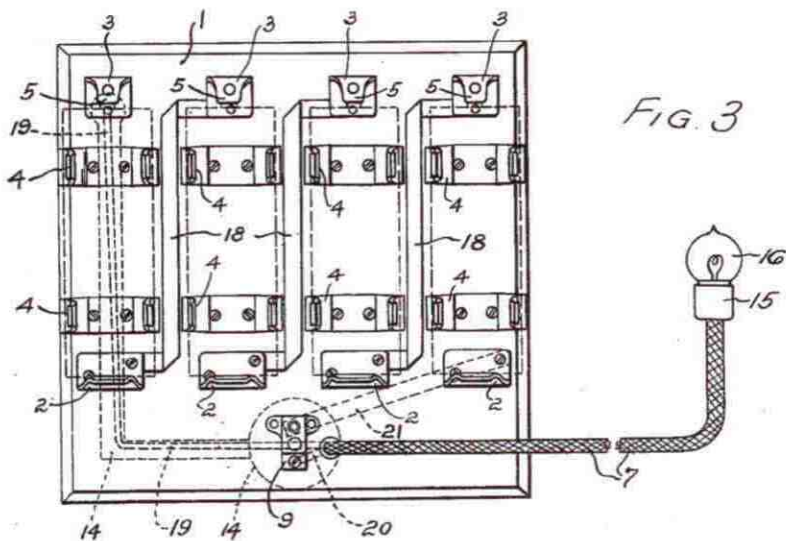
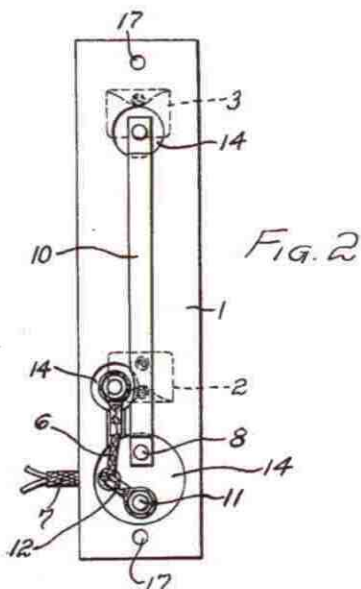
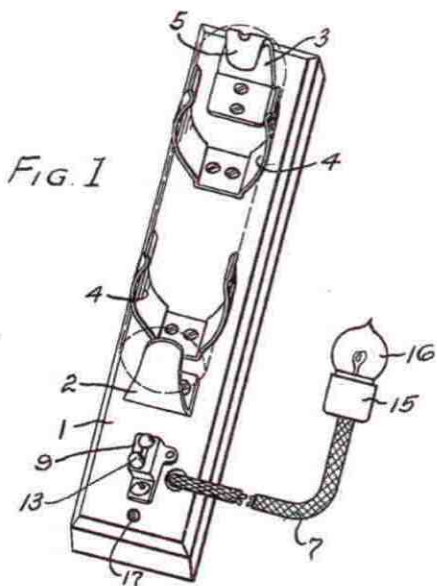
Witnesses:

*Samuel W. Balch*  
*Conrad Hubert*

Inventor,  
David Misell,

by *Thomas Ewing*,  
Attorney

A. S. LYHNE.  
 BATTERY HOLDER.  
 FILED FEB. 12, 1921.



INVENTOR  
*Anker S. Lyhne*  
 BY  
*A. M. Wooster*  
 ATTORNEY

BATTERY HOLDERS

Filed Nov. 30, 1953

FIG. 1.

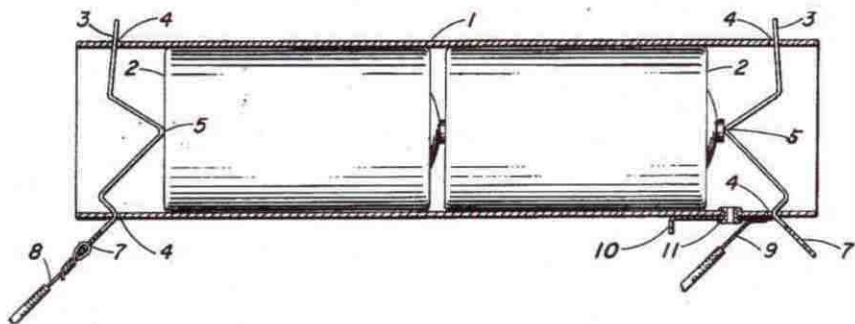
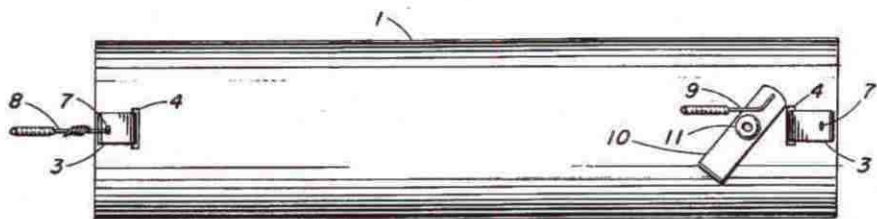


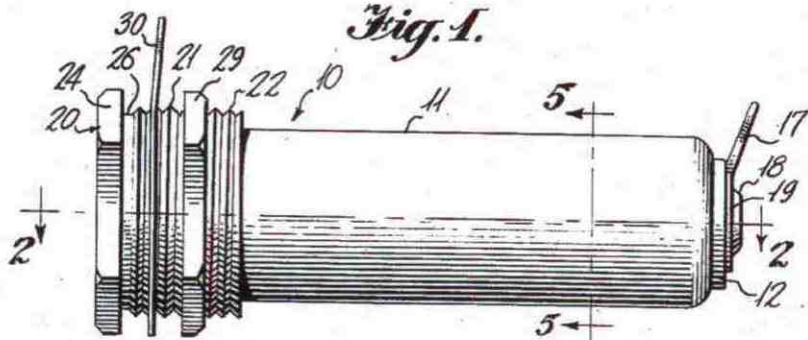
FIG. 2.



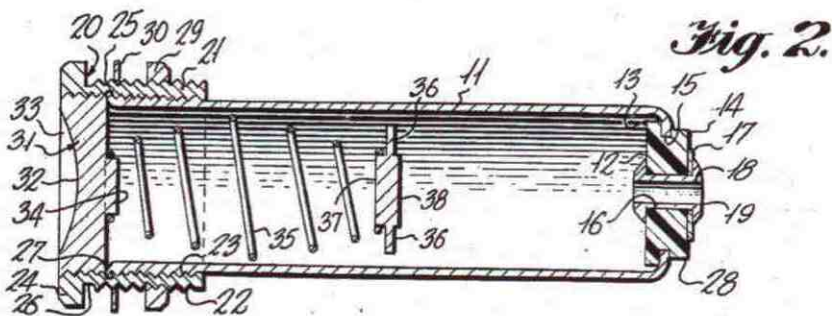
INVENTOR.  
ROBERT J. SPOONER.

BY  
*Joseph H. Schofield*  
attorney

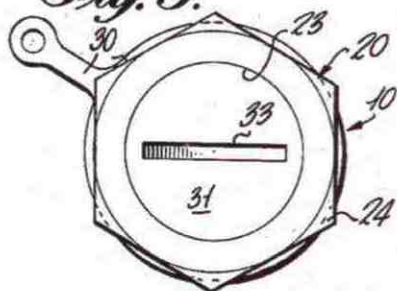
*Fig. 1.*



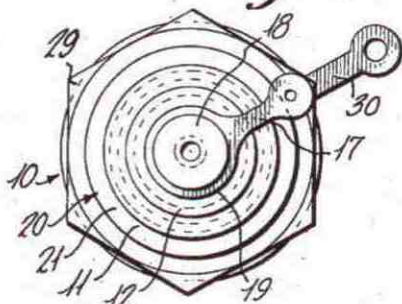
*Fig. 2.*



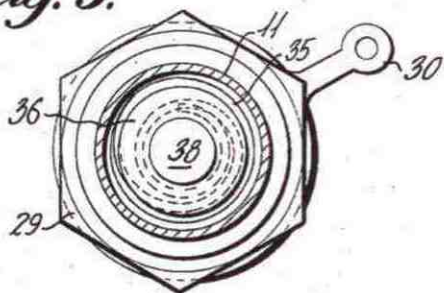
*Fig. 3.*



*Fig. 4.*



*Fig. 5.*



INVENTOR

*Oleg C. Enikeieff*

BY *Mason, Fenwick & Lawrence*  
ATTORNEYS

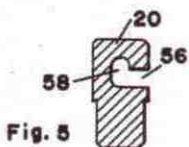
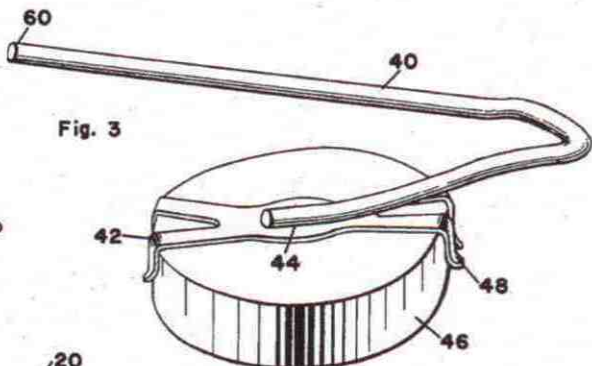
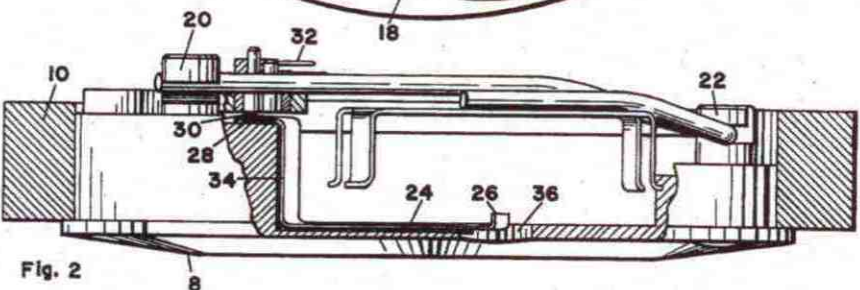
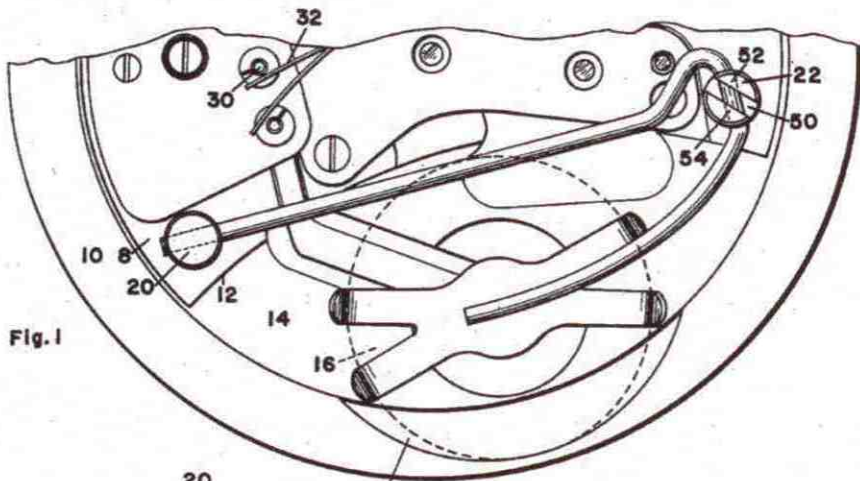
Oct. 6, 1959

H. S. DETWILER ET AL

2,907,810

BATTERY HOLDER FOR ELECTRIC WRIST WATCHES

Filed Feb. 7, 1956



INVENTOR

Harry S. Detwiler  
Oscar R. Petters  
Harwell B. Thompson

BY

*W. M. Gould*

ATTORNEY

- [54] **BATTERY HOLDER FOR COIN CELLS**
- [75] **Inventors:** Charles Engelstein, South Orange, N.J.; David L. Kassel, New York; Harry Goodman, Rockville Centre, both of N.Y.

[73] **Assignee:** Memory Protection Devices, Inc., Farmingdale, N.Y.

[21] **Appl. No.:** 516,884

[22] **Filed:** Jul. 25, 1983

[51] **Int. Cl.<sup>3</sup>** ..... H01M 2/10

[52] **U.S. Cl.** ..... 429/100; 429/1

[58] **Field of Search** ..... 429/96-100, 429/1, 176, 178; 354/80, 81; 368/88, 204

[56] **References Cited**

**U.S. PATENT DOCUMENTS**

3,473,966 10/1969 Fritch ..... 429/98

|           |         |                     |        |
|-----------|---------|---------------------|--------|
| 3,597,913 | 8/1971  | Fujimori .....      | 429/1  |
| 3,856,577 | 12/1974 | Oki et al. ....     | 429/96 |
| 4,053,688 | 10/1977 | Perkins et al. .... | 429/98 |
| 4,218,522 | 8/1980  | Motoyoshi .....     | 429/97 |
| 4,230,777 | 10/1980 | Gatto .....         | 429/97 |
| 4,371,595 | 2/1983  | Suwa .....          | 429/98 |

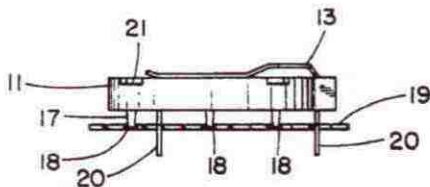
*Primary Examiner*—Anthony Skapars

*Attorney, Agent, or Firm*—Bucknam and Archer

[57] **ABSTRACT**

A battery holder for a coin cell provided with a casing which receives the coin cell against its bottom and laterally constrains the cell by a peripheral barrier wall. One pole of the cell is engaged by an electrical contact extending across the casing bottom, and the other pole of the cell is engaged by another electrical contact extending across the cell in resilient contact with the other pole thereof.

**5 Claims, 4 Drawing Figures**



[54] **HORIZONTAL BATTERY HOLDER FOR CYLINDER CELLS**

[75] **Inventors:** Charles Engelstein, South Orange, N.J.; David L. Kassel, New York; Harry Goodman, Rockville Centre, both of N.Y.

[73] **Assignee:** Memory Protection Devices, Inc., Farmingdale, N.Y.

[21] **Appl. No.:** 527,220

[22] **Filed:** Aug. 29, 1983

[51] **Int. Cl.<sup>3</sup>** ..... H01M 2/100

[52] **U.S. Cl.** ..... 429/100; 429/178

[58] **Field of Search** ..... 429/100, 98, 97, 96,  
429/9, 1, 99, 178; 339/17 R

[56] **References Cited**

**U.S. PATENT DOCUMENTS**

|           |         |                         |         |
|-----------|---------|-------------------------|---------|
| 4,031,295 | 6/1977  | Rigazio .....           | 429/100 |
| 4,247,603 | 1/1981  | Leffingwell et al. .... | 429/1   |
| 4,281,727 | 8/1981  | Meeks .....             | 429/98  |
| 4,291,106 | 9/1981  | Hooke .....             | 429/1   |
| 4,414,298 | 11/1983 | Krenz .....             | 429/100 |

*Primary Examiner*—Charles F. Lefevour  
*Attorney, Agent, or Firm*—Bucknam and Archer

[57] **ABSTRACT**

A battery holder for a cylinder cell is provided with a casing which receives the cell against its bottom and constrains the cell in a peripheral barrier with resilient contacts at its ends. The holder optionally has terminals projecting through its bottom for printed circuit board mounting or flat terminals with eyelets projecting from the top of the holder. A snap-on cover, which facilitates removal of the battery, can be provided.

**5 Claims, 7 Drawing Figures**

