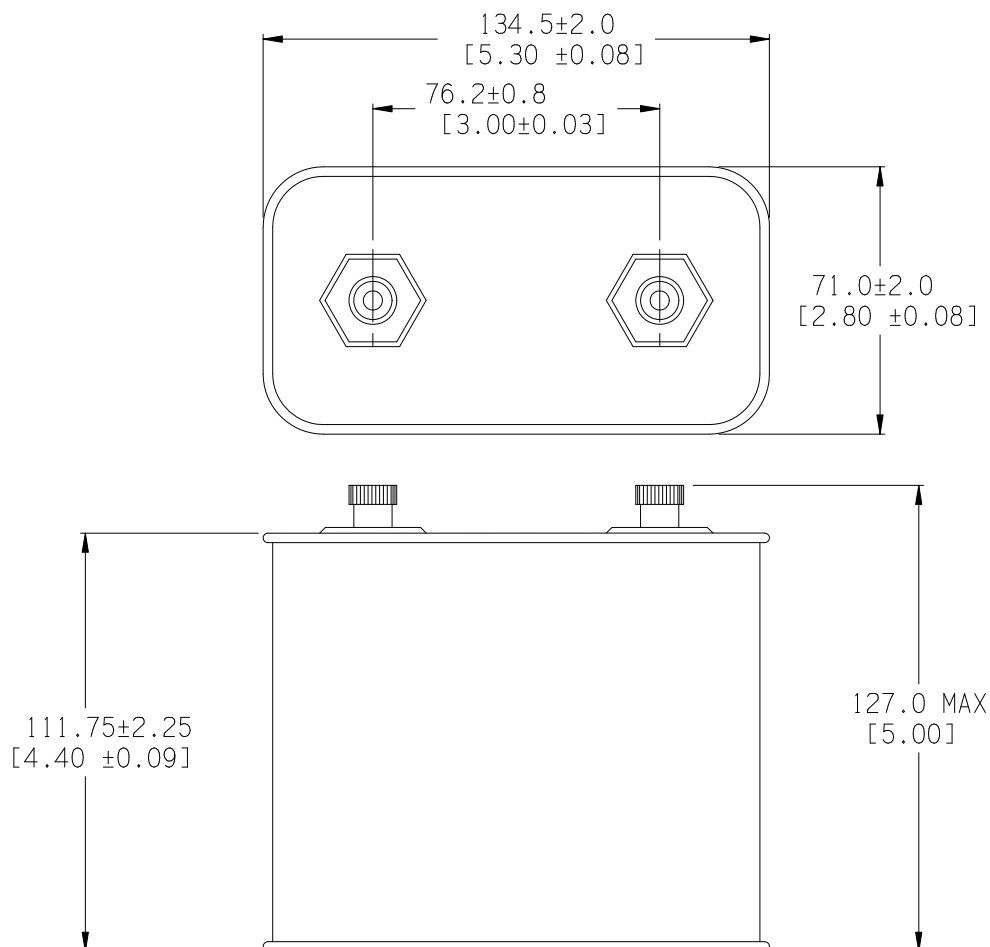


DATE: 08/21/15

## BATTERY SPECIFICATION

P/N 918



## TYPICAL SPECIFICATIONS

ELECTROCHEMICAL SYSTEM: ALKALINE MANGANESE DIOXIDE OR CARBON ZINC

NOMINAL VOLTAGE: 6.0

MAXIMUM OFF-LOAD VOLTAGE: 6.6

RATED CAPACITY: 52 Ah TO 0.8V AT 70°F (21°C)

AVERAGE WEIGHT: 67.3 oz (1.9 kg)

OPERATING TEMP. RANGE: -20°C TO 54°C (-4°F TO 130°F)

ANSI DESIGNATION: 918A, 918AC, 918, 918D

TYPICAL USE	LOAD (OHMS)	DAILY PERIOD	END POINT V	MINIMUM AVERAGE DURATION
PORTABLE LIGHTING	9.1	30 min/hr 8 hr/day	3.6	60 hr

SEE MANUFACTURER'S SPECIFICATION SHEET FOR FURTHER INFORMATION.

AWI	DURACELL	EVEREADY	IEC	KODAK	MAXELL	NEDA	PANASONIC	RAYOVAC	SONY	TOSHIBA	VARTA	OTHER
	MN918	521	4LR25-2	K9V		918A	6AM6	A1604	6LR61SG	6LF22	4022	BA3090/U
			4R25-2			918						GP918S